



# BULL / SN

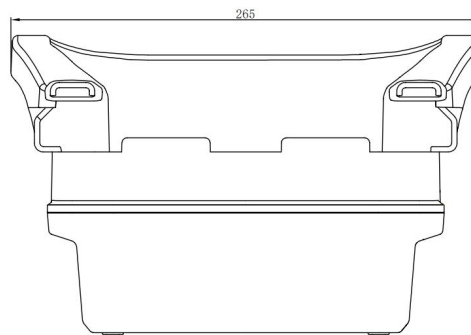
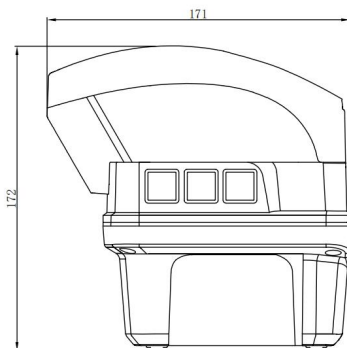
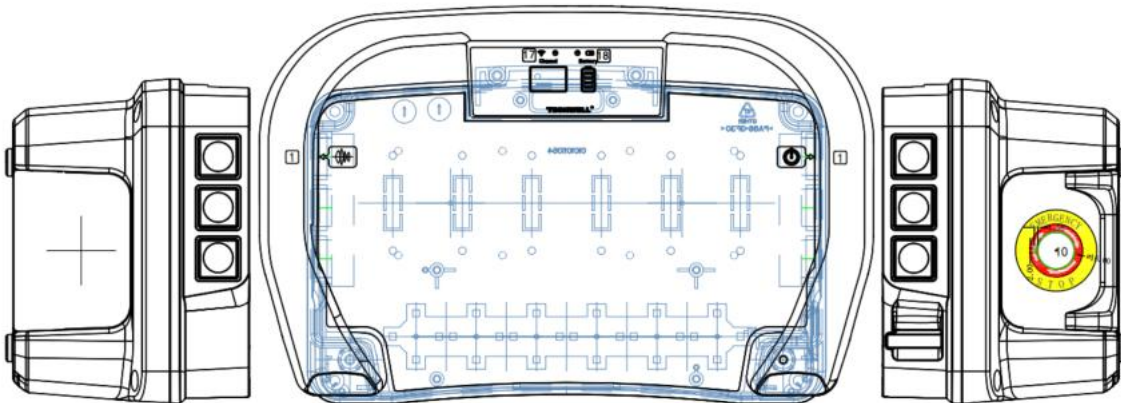
## Features

- Prototyping and series production
- Up to 2 joysticks or up to 7 linear levers
- Up to 32 control functions (on / off)
- Up to 8 analog functions for joysticks / linear levers
- Up to 4 additional analog functions, e. g. for potentiometer switches
- Combined operation
- Pre-selection of trolley / hoist
- Catch-release



## Technical Specifications

<b>Weight(battery include)</b>	1.2Kg	<b>Communication mode</b>	Wireless/Cable/Cable + wireless
<b>Case dimensions</b>	265mm×171mm×172 mm	<b>Frequency range</b>	433Mhz:427.00-436.30Mhz; 470Mhz:472.35-485.775Mhz,
<b>Case material</b>	Engineering plastics	<b>Transmitting power</b>	< 10 mW
<b>Antenna</b>	Internal/external (when shielded)	<b>Power supply</b>	Li-Battery 7.4V/3000mAh ; NI-MH Battery 6V/2000mAh,
<b>Operating temperature</b>	-25℃~+70℃ * Other temperatures are optional	<b>Remote control distance</b>	≥150m
<b>Emergency stop switch</b>	Emergency stop mushroom head switch	<b>Status display</b>	Operating status indication/RF indication/LCD feedback indication
<b>Protection grade</b>	IP65	<b>Additional functions</b>	Frequency management, sound-light alarm, LCD data feedback, intelligent identification card, tri-axial sensing, video feedback, etc.
<b>Accessories</b>	Shoulder straps, waist straps, chargers, antennas		



The information provided herein is to the best of our knowledge true and accurate, it is provided for guidance only. All specifications are subject to change without prior notification.

Easywork Controls – Your expert partner in Radio Remote Control | [www.techlad.cn](http://www.techlad.cn)

Easywork Controls stands for radio remote control and joystick solutions. In addition we offer services such as calibration, design & engineering, training and renting of radio remote system.